

Allure UNITOUCH™

Occupant focused interface with touchscreen, sensors, and mobile app support



Overview

Compatible with any ECLYPSE Series Controller, the Allure UNITOUCH is an elegant, occupant focused room device that provides an intuitive user interface for the control of temperature, lighting, fan speed, sunblinds. Allure UNITOUCH is compatible with *my PERSONIFY* for wireless control of comfort parameters from a smartphone.

The high resolution 3.5" capacitive touchscreen makes this communicating sensor the ideal all-in-one solution for a wide range of applications and is a perfect addition to the Smart Room Control solution.

Features & Benefits

- Elegant and compact design, provides a modern appearance when installed in any environment
- Mobile app control via *Bluetooth*® low energy technology for direct connection with a mirrored interface
- Unique user experience with an intuitive control scheme for control of temperature, fan speed, lighting, and sunblinds, from a single device
- Distinctive solution that offers advanced technologies within a single product: Bluetooth low energy, glass front panel, capacitive touchscreen, LCD color display, sensors, etc.
- Control HVAC, and up to 8 lighting groups and 8 shades/sunblinds groups, handled simultaneously or individually
- The ECO-Vue leaf pattern graphically indicates energy consumption in real time to promote an occupant's energy-conscious behavior.
- Optional CO₂ sensor facilitates demand-controlled ventilation strategies
- Easy customization with Distech Controls' *EC-gfxProgram*
- Home and menu screens can be customized to display, for example, the installer's logo or end-client's logo
- Quick and easy installation: Both power and communications pass through a single Cat 5e cable
- Flexible User Interface: the occupant can activate a series of settings predefined in *EC-gfxProgram* such as meeting modes or tunable white settings
- Personalise the menu by adding your own mobile app name and related QR code in the Allure UNITOUCH user interface via the ECLYPSE RESTful API

Model Selection

Example: Allure UNITOUCH-*B-CH* (Black with CO₂ and Humidity sensor)

Series	Color	Sensor Options
Allure UNITOUCH-	B : Black W : White	[blank]: no options -H : with Humidity sensor -CH : with CO ₂ and Humidity sensor

Product Specifications

Power Supply Input

Voltage	16 VDC maximum, Class 2 (subnet powered)
Power Consumption	1.8W (with CO ₂ sensor) 1W (without CO ₂ sensor)

Wired Communications

Compatible Controllers ¹	ECY-PTU/TU, ECY-VAV, ECY-303, ECY-S1000
Baud rate	38 400 bps
Communications	RS-485
Topology	Daisy-chain
Wiring	Maximum cable length: 100m (328 ft)
Addressing	On-screen selectable
Cable Type	T568B Cat 5e network cable, 4 twisted pairs
Connectors	2 x RJ-45 (pass-through)

1. A mixed architecture with standard room devices and Bluetooth low energy enabled devices is not recommended.

Wireless Communications

Type	Bluetooth 4.2
Frequency	2402 - 2480 MHz

Temperature Sensor

Range	0°C to 50°C (32°F to 122°F)
Accuracy	Sensing component; ±0.20°C (±0.36°F) Overall accuracy; ±0.50°C (±0.90°F)
Resolution	0.10°C (0.18°F)

Humidity Sensor

Accuracy	<±3%: RH 0% to 70%
Resolution	1%

CO₂ Sensor

Measurement Range	0 to 2000 ppm
Operating Elevation	0 to 3050m (10000 ft)
Warm-up Time	< 2 minutes (operational), 10 minutes (maximum accuracy)
CO ₂ Accuracy ¹	400-1000 ppm ± 75 ppm or 3% of reading, whichever is greater 1000-2000 ppm ± (40 ppm + 5% of reading)
Repeatability	± 10 ppm
Response Time	60 s

1. Tolerance based on span gas of ±2% and automatic self-calibration enabled.

Accuracy Drift	< 0.03 °C / year
Additional accuracy drift per year after five years of sensor operation and with automatic self-calibration algorithm enabled	Typical ± (5 ppm + 0.5 % of reading)

Pressure Dependence	0.135% of reading per mm Hg; Elevation adjusted in configuration software
---------------------	---

Sensing Method	Non-dispersive infrared (NDIR)
Calibration Method	Automatic self-calibration enabled

1. Tolerance based on span gas of ±2% and automatic self-calibration enabled.

Display Characteristics

Display Type	Full color, backlit, capacitive LCD touchscreen
Display Resolution	High definition (320 × 480)
Effective Viewing Area (W x H)	48.96 x 73.44 mm (1.93 × 2.89")
Languages	English, French, Spanish, Italian, German, Danish, Dutch, Polish, and Portuguese

Mechanical

Dimensions (H × W × D)	131.5 × 85.5 × 19.0 mm (5.18 × 3.37 × 0.75")
Shipping Weight	0.2 kg (0.44 lbs)
Enclosure Material	ABS
Enclosure Rating	Plastic housing, UL94-V0
Installation	Wall mounting through included mounting holes

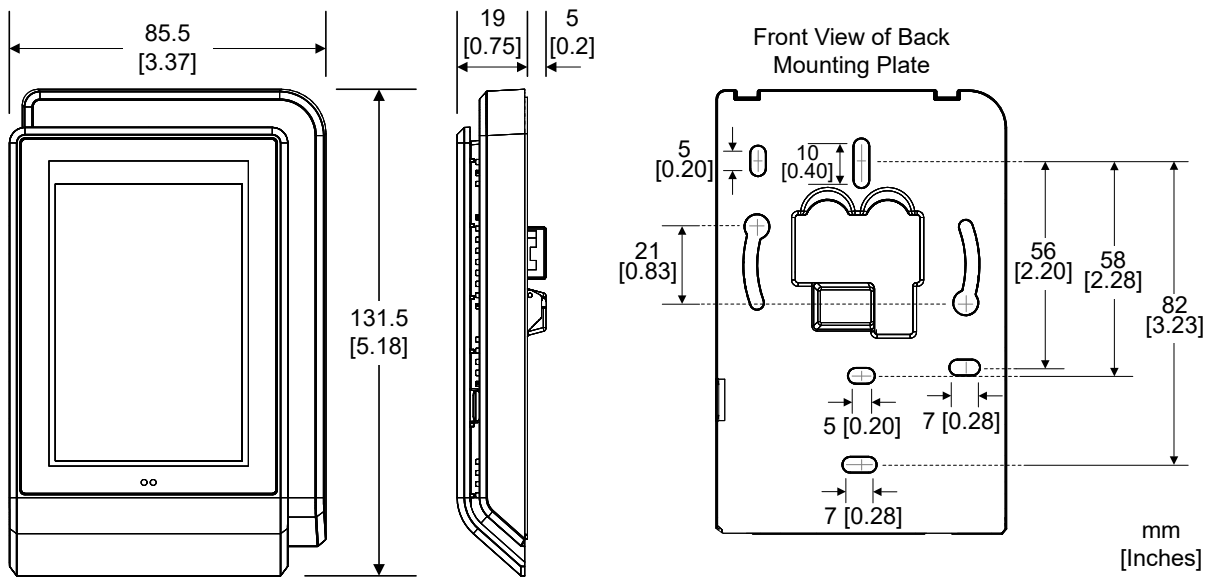
Environmental

Operating Temperature	0°C to 50°C (32°F to 122°F)
Storage Temperature	-20°C to 50°C (-4°F to 122°F)
Relative Humidity	0 to 90% Non-condensing

Standards and Regulations

CE Emission	EN 61000-6-3: 2007 + A1: ed.2011
CE Immunity	EN 61000-6-1: 2007
CE Radio	EN 300 328 V2.1.1 November 2016
FCC	FCC rules part 15, subpart B class B
UL Listed (CDN & US)	UL916 Energy management equipment





Specifications subject to change without notice.

ECLYPSE, Distech Controls, the Distech Controls logo, EC-Net, Allure, and Allure UNITOUCH are trademarks of Distech Controls Inc. BACnet is a registered trademark of ASHRAE; BTL is a registered trademark of the BACnet Manufacturers Association. The Bluetooth[®] word mark and logos are registered trademarks owned by Bluetooth SIG, Inc. and any use of such marks is under license. All other trademarks are property of their respective owners.

©, Distech Controls Inc., 2016 - 2022 All rights reserved.

Global Head Office - 4205 place de Java, Brossard, QC, Canada, J4Y 0C4 - EU Head Office - ZAC de Sacuny, 558 avenue Marcel Mériex, 69530 Brignais, France