



FS-WLDR Series

Water Detector, Remote Spot



Overview

The remote spot water detector is used to detect the presence of water or conductive liquids. It is available with either one or two relay outputs and is designed to signal alarms if one or more of three conditions are met: water is detected, power is lost to the unit, or if there is an internal failure.

The remote spot water detector is housed in an IP65 rated enclosure with remote sensing probes and cable that is available in various lengths. It features height adjustable mounting legs that include 5 preset mounting heights. An LED provides visual status indication.

Applications

- Detection of fluids such as: city water, sea water, copper sulfate solution, weak acid, weak base, household ammonia, water and glycol mixture, wet soil, coffee...

Features & Benefits

- Protection against dust and water
- Variable probe length
- Visual status indication

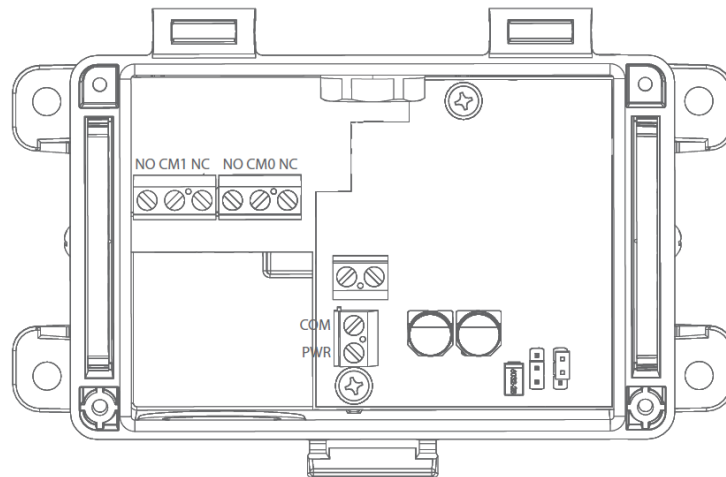
Model Selection

	FS-WLDR	X	XX
Relays	1 = one (1) Form-C Relay 2 = two (2) Form-C Relays		
Wire Length	00 = None, sensor pins only 02 = 2 m (6.5') 05 = 5 m (16.4') 10 = 10 m (32.8')		

Product Specifications

Power Supply	12 - 27 VAC/VDC
Supply Current	125 mA max @ 24 Vac
Alarm Outputs	1 or 2 Form C relay(s), NO/NC, rated 2 Amps @ 30 VAC/VDC, 0.5 Amps @ 120 VAC (resistive load)
Visual Indication	Bi-color LED - Green, Red
Operating Temperature	0 to 50°C (32 to 122°F)
Enclosure	ABS with hinged and gasket cover, IP65 (NEMA 4X)
Dimensions	133.2mm L x 86.7mm W x 60.3-85.7mm H (5.2" x 3.4" x 2.4"- 3.4")
Cable Type	FT-6 Plenum rated
Approvals	CE, RoHS
Country of Origin	Canada

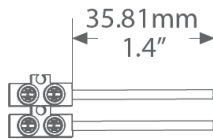
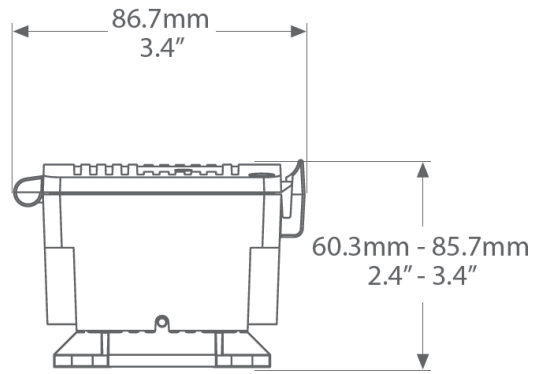
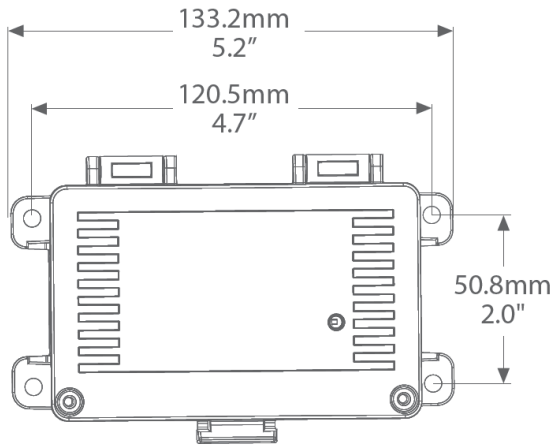
Wiring Diagram



TERMINAL	FUNCTION
NO	Normally Open Contact
CM1	COMMON
NC	Normally Closed Contact
NO	Normally Open Contact
CM2	COMMON
NC	Normally Closed Contact
COM	COMMON
PWR	+24 VAC/DC

*Terminals only present if option is ordered

Dimensions



Specifications subject to change without notice.
Distech Controls, and the Distech Controls logo are trademarks of Distech Controls Inc. All other trademarks are property of their respective owner.
©, Distech Controls Inc., 2021. All rights reserved.