



# DA-018N024EXXX

Damper Actuator, 18lb.-in., Non-Spring Return, 24V, Digital (1-wire, SPST), Standard Cable



## Overview

The DA-018N024EXXX damper actuator is an electric motor-driven rotary actuator for open-close control (1-wire SPST) designed for damper areas up to 0.3 m<sup>2</sup>, friction dependent and for directly driven zone dampers to control airflow in air ducts.

## Applications

- For damper areas up to 0.3 m<sup>2</sup>, friction dependent.
- For directly driven zone dampers to control airflow in air ducts.

## Features & Benefits

- Electric motor-driven rotary actuators for open-close control (1-wire SPST)
- 2 Nm nominal torque
- AC/DC 24 V
- Prewired with 0.9 m connecting cable
- Slider for manual adjustment

# Product Specifications

## Power supply AC/DC 24 V

Operating voltage AC/frequency	AC 24 V ± 20% ; 50 / 60 Hz
Operating voltage DC	DC 24 V ± 15%
Power consumption	
<input type="checkbox"/> (running)	2 VA / 1.5 W
<input type="checkbox"/> (holding)	1 VA / 0.5 W
Safety extra-low voltage (SELV) or Protective extra-low voltage (PELV) as per	HD 384
Fuse for incoming supply line (fast)	2 A.

## Functional data

Nominal torque	2 Nm
Maximum torque	6 Nm
Nominal rotational angle	90°
Maximum rotational angle (mechanically limited)	95 ± 2°
Runtime at nominal rotational angle 90°	30 s
Duty cycle	100%
Direction of rotation	Clockwise/counter-clockwise
Mechanical life	25 000 cycles

## Connection cables

Cable length	0.9 m
Cross-section	0.75 mm <sup>2</sup>

## Housing type Protection class

Protection as per EN 60 529	IP40
Insulation protective class	EN 60 730
<input type="checkbox"/> AC/DC 24 V	

## Environmental conditions

Operation	IEC 721-3-3
<input type="checkbox"/> Climatic conditions	Class 3K5
<input type="checkbox"/> Mounting location	Interior, weather-protected
<input type="checkbox"/> Temperature (extended)	-32...+55°C
<input type="checkbox"/> Humidity, non-condensing	< r.h. 95%
Transportation	IEC 721-3-2
<input type="checkbox"/> Climatic conditions	Class 2K3
<input type="checkbox"/> Temperature (extended)	-32...+70 °C
<input type="checkbox"/> Humidity, non-condensing	< 95% r.h.
Storage	IEC 721-3-1
<input type="checkbox"/> Climatic conditions	Class 1K3
<input type="checkbox"/> Temperature (extended)	-32...+50 °C
<input type="checkbox"/> Humidity, non-condensing	< 95% r.h.
Mechanical conditions	Class 2M2

## Standards

### Product safety

Automatic electrical controls for household and similar use (Type 1) — IEC/EN 60 730-2-14

## Electromagnetic compatibility

Immunity — IEC/EN 61 000-6-2

Emissions — IEC/EN 61 000-6-3

## C-tick conformity as per

Australian EMC Framework — Radio communication act 1992

Radio Interference Emission Standard — AS/NZS 3548

## CE conformity as per

- EMC directive 2004/108/EEC
- UL Certified UL 873
- cUL Certified CSA C22.2 No. 24

## Dimensions

### Actuator

W x H x D — See Dimensions

### Damper shaft:

Rectangular — 6...11 mm

Min. length — 20 mm

Max. shaft hardness — 300 HV

Round — 8...15 mm

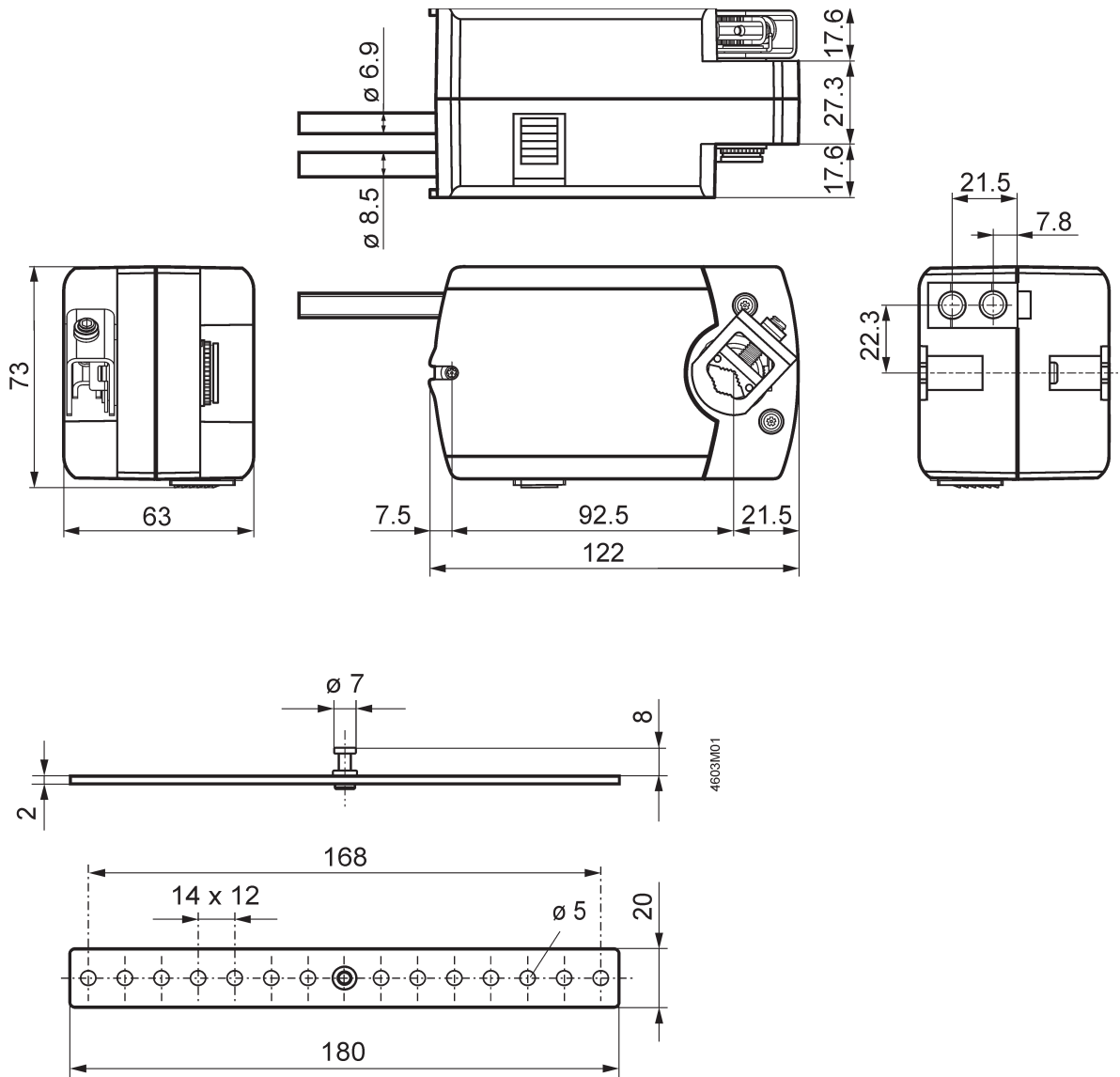
Min. length — 20 mm

Max. shaft hardness — 300 HV

## Weight

Excl. packaging — 0.440 kg

# Dimensions



Specifications subject to change without notice.  
 Distech Controls, and the Distech Controls logo are trademarks of Distech Controls Inc. All other trademarks are property of their respective owner.  
 ©, Distech Controls Inc., 2015. All rights reserved.