



CS-RIBXG420 Series

Current Sensors & Switches



Overview

Enclosed, self-powered, split core current sensors (voltage and current output) and switches (fixed and adjustable trip points).

Applications

- General Load Status
- Motor Status
- Lighting Circuit Status
- Detecting Belt Loss

Features & Benefits

- Pre-packaged for Convenience
- Adjustable or Fixed Thresholds
- Split Core Models
- Miniature Size

Model Selection

Product Number	Range	Accuracy		
		Span 20% – 100%	Span 10% – 100%	Span 0% – 100%
CS-RIBXG420-20	0-20A	99%	99%	95%
CS-RIBXG420-50	0-50A	99%	97.5%	92%
CS-RIBXG420-100	0-100A	99%	97%	91%

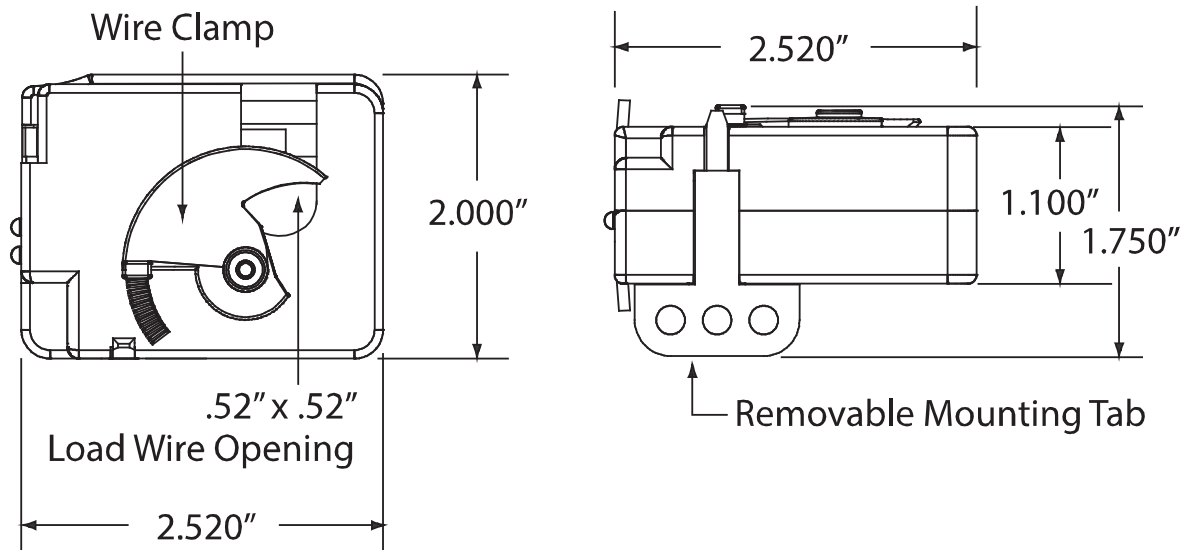
Product Specifications

Operating Temperature _____ -30 to 140° F
 Humidity Range _____ 5 to 95% (noncondensing)
 Wires _____ Red (positive) & Black (negative), 16", 18 AWG, 600V Rated
 Sensor Type _____ Internal, with 4-20 mA Transmitter Output
 _____ Loop powered
 Range _____ 0-20A, 0-50A, 0-100A
 Linearity _____ 99% FS (20%-100% Span)
 Max Output Current _____ 30 mA
 Max Sense Voltage _____ 600 Vac
 Approvals _____ UL Listed, UL864, UL508, C-UL, California State Fire Marshal, CE, RoHS
 Mounting/Installation _____ Removable mounting tab provided.
 _____ The wire clamp locks against the load wire, securing the unit in place.
 Sensor Type _____ Split core with voltage output

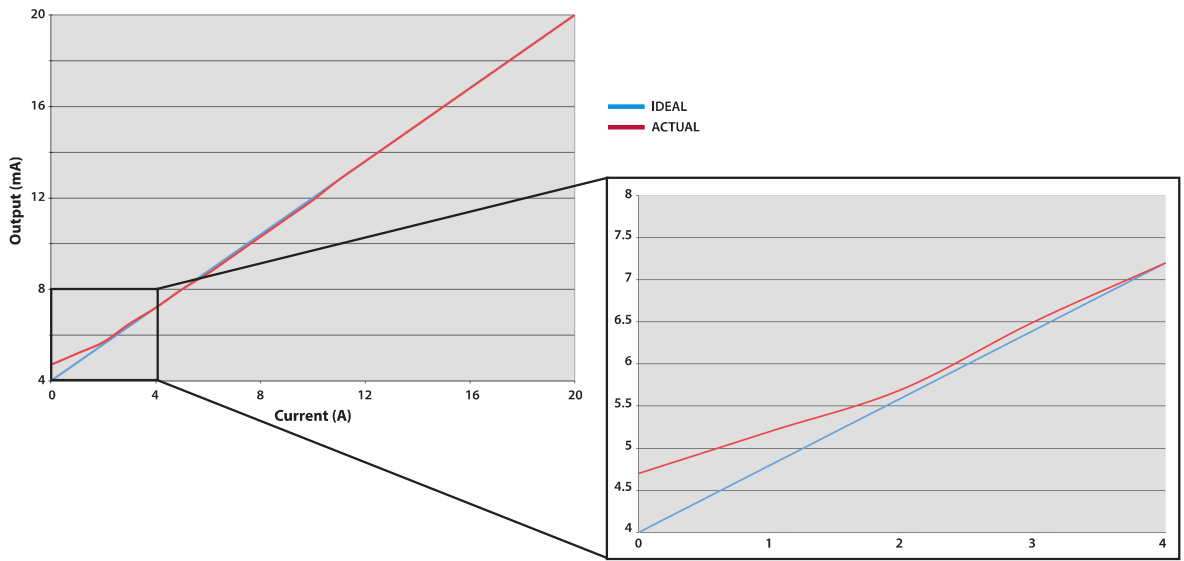
Output Load Resistance

Output Load Resistance	Supply Voltage	
	Minimum	Maximum
800 ohms	24 Vdc	35 Vdc
500 ohms	18 Vdc	35 Vdc
350 ohms	15 Vdc	35 Vdc
250 ohms	13 Vdc	35 Vdc
200 ohms	12 Vdc	35 Vdc
100 ohms	10 Vdc	35 Vdc
50 ohms	9 Vdc	35 Vdc

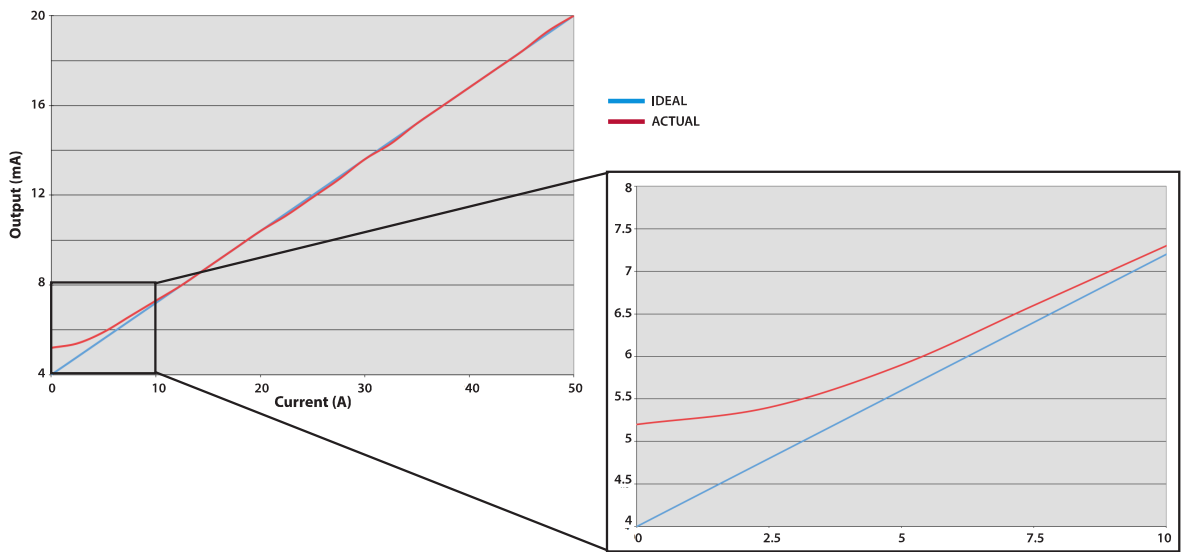
Dimensions



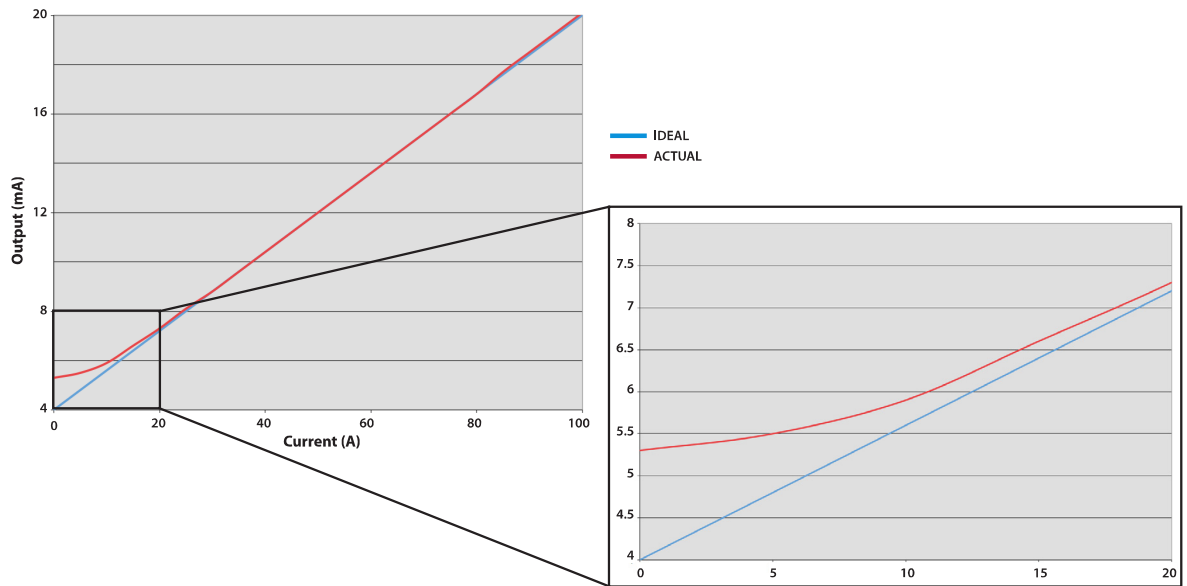
CS-RIBXG420-20 Linearity



CS-RIBXG420-50 Linearity



CS-RIBXG420-100 Linearity



Specifications subject to change without notice.
Distech Controls, and the Distech Controls logo are trademarks of Distech Controls Inc. All other trademarks are property of their respective owner.
©, Distech Controls Inc., 2015. All rights reserved.