



CS-RIBXK420 Series

Current Sensors & Switches

Overview

Enclosed, self-powered, solid core current sensors (voltage and current output) and switches (fixed and adjustable trip points).



Applications

- General Load Status
- Motor Status
- Lighting Circuit Status
- Detecting Belt Loss

Features & Benefits

- Prepackaged for Convenience
- Adjustable or Fixed Thresholds
- Solid Core Models
- Miniature Size

Model Selection

Product Number	Sensor Output	Sensor Contact Termination	Range	Type	Threshold
CS-RIBXK420-20	4-20mA	Wire Leads	0-20A	Solid	Analog
CS-RIBXK420-50	4-20mA	Wire Leads	0-50A	Solid	Analog
CS-RIBXK420-100	4-20mA	Wire Leads	0-100A	Solid	Analog

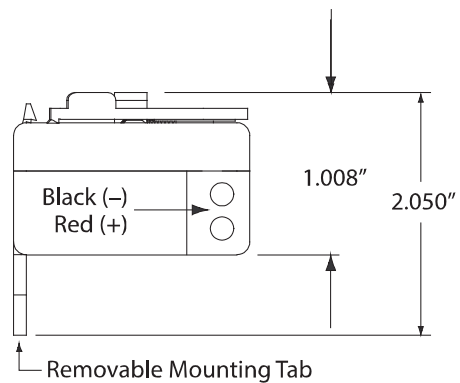
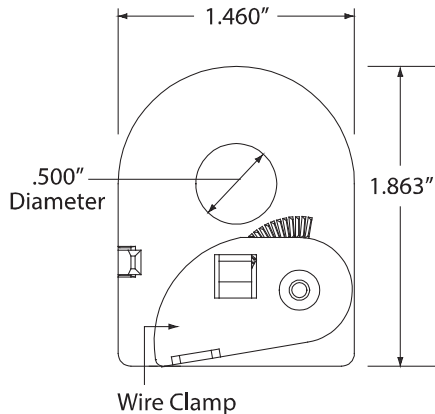
Product Specifications

Operating Temperature _____ -30 to 140° F
 Humidity Range _____ 5 to 95% (non-condensing)
 Wires _____ Red (positive) & Black (negative), 16", 18 AWG, 600V Rated
 Sensor Type _____ Internal, with 4-20 mA Transmitter Output
 _____ Loop powered
 Accuracy _____ 96.4% Full Scale
 Linearity _____ 99% FS (25%-100% Span)
 Max Output Current _____ 30 mA
 Max Sense Voltage _____ 600 Vac
 Approvals _____ UL Listed, UL916, UL864, C-UL, California State Fire Marshal, CE, RoHS
 Mounting/Installation _____ Removable mounting tab provided
 _____ The wire clamp locks against the load wire, securing the unit in place

Output Load Resistance

Output Load Resistance	Supply Voltage	
	Minimum	Maximum
800 ohms	24 Vdc	35 Vdc
500 ohms	18 Vdc	35 Vdc
350 ohms	15 Vdc	35 Vdc
250 ohms	13 Vdc	30 Vdc
200 ohms	12 Vdc	30 Vdc
100 ohms	10 Vdc	28 Vdc
50 ohms	9 Vdc	28 Vdc

Dimensions



Specifications subject to change without notice.
 Distech Controls, and the Distech Controls logo are trademarks of Distech Controls Inc. All other trademarks are property of their respective owner.
 ©, Distech Controls Inc., 2015. All rights reserved.