



FS-2 Series

Vane Flow Switches



Overview

The FS-2 Series of Vane Flow Switches offer an economical flow proving solution. Custom set points tailored for the application are enabled by field adjustable vane layers and a setpoint adjustment screw. These switches are ideal for use in “flow or no flow” applications in cold and hot water systems.

Applications

- Perfect for proving flow in boilers, hot water heaters, and chillers.

Features & Benefits

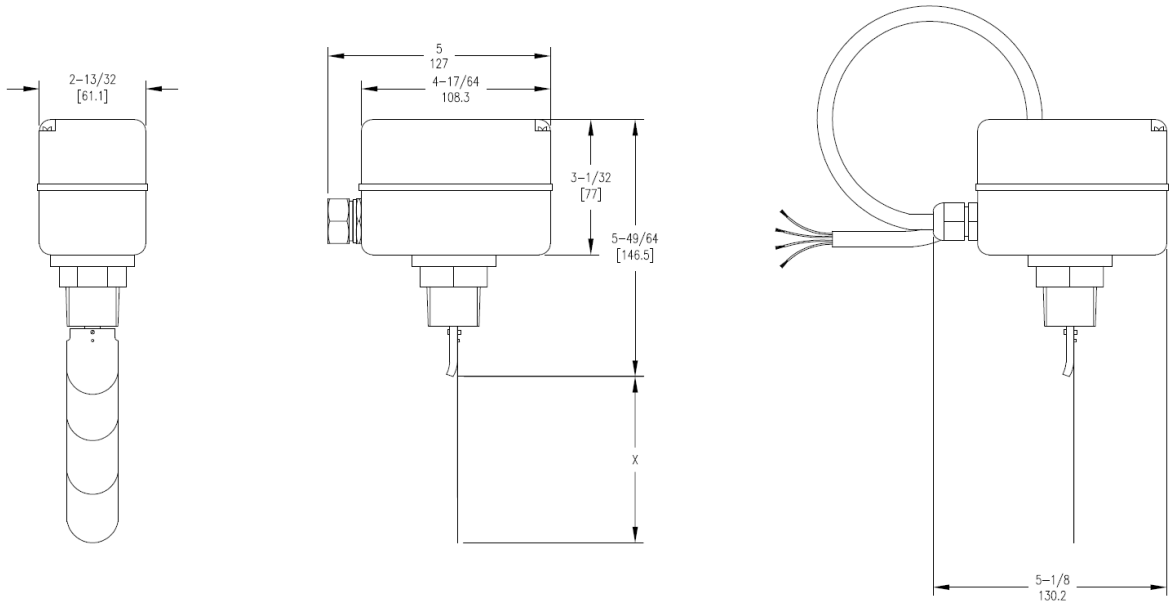
- Paddle type
- 1” Male NPT Connection
- 3’ cable with leads

Model Selection

FS-2	Vane Flow Switch: 1” Male NPT 3’ cable with leads
FS-2-BSPT	Vane Flow Switch: 1” Male BSPT 3’ cable with leads
FS-2-CND	Vane Flow Switch: 1” Male NPT 1” Female NPT conduit
FS-2-W8	Vane Flow Switch: 1” Male NPT 8’ cable with leads

Product Specifications

Service _____	Compatible liquids
Wetted Materials:	
<input type="checkbox"/> Bellow _____	Tin-bronze
<input type="checkbox"/> Vane _____	SS
<input type="checkbox"/> Body _____	Forged brass
Temperature Limit _____	230°F (110°C)
Pressure Limit _____	145 psig (10 bar)
Enclosure Rating _____	NEMA 4 (IP64)
Switch Type _____	SPDT snap switch
Electrical Rating _____	10A res, 3A ind @ 250 VAC
Electrical Connection _____	Cable gland with attached wire leads or optional conduit connection
Process Connection _____	1" male NPT or BSPT
Mounting Orientation _____	Switch must be installed vertically on horizontal pipe runs
Set Point Adjustment _____	Four vane combinations and an adjustment screw
Enclosure _____	Die-cast aluminum alloy
Weight _____	28.22 oz (0.8 kg)
Agency Approvals _____	CE



Specifications subject to change without notice.
 Distech Controls, and the Distech Controls logo are trademarks of Distech Controls Inc. All other trademarks are property of their respective owner.
 ©, Distech Controls Inc., 2015. All rights reserved.