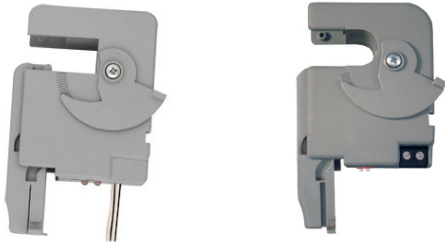




CS-RIBXGH Series

Split Core 120 Vac Switching AC Sensors



Overview

Enclosed, self-powered, split core current sensors (voltage and current output) and switches (fixed and adjustable trip points).

Applications

- General Load Status
- Motor Status

Features & Benefits

- Pre Packaged for Convenience
- Adjustable or Fixed Thresholds
- Split Core Models
- Miniature Size

Model Selection

Product Number	Sensor Output	Switching Voltage Range	Maximum Switching Current	Sensor Contact Termination	Range	Type	Threshold	LED 1	LED 2
CS-RIBXGHF	SS Switch SPST	120 Vac/dc	1 Amp	Wire Leads	.50-150A	Split	Fixed, .50Amp		
CS-RIBXGHTF	SS Switch SPST	120 Vac/dc	1 Amp	Terminals	.50-150A	Split	Fixed, .50Amp		
CS-RIBXGHA	SS Switch SPST	120 Vac/dc	1 Amp	Wire Leads	.75-150A	Split	Adjustable	Over Trip Point	Under Trip Point
CS-RIBXGHTA	SS Switch SPST	120 Vac/dc	1 Amp	Terminals	.75-150A	Split	Adjustable	Over Trip Point	Under Trip Point

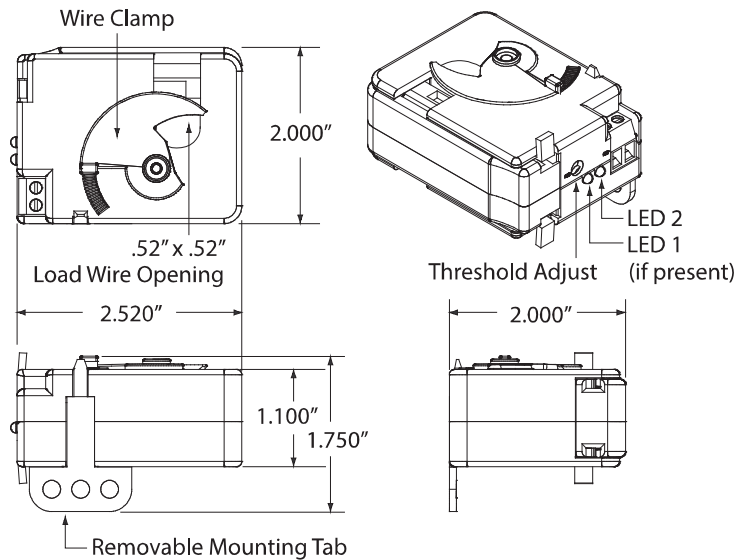
Product Specifications

Operating Temperature	-30 to 140° F
Humidity Range	5 to 95% (noncondensing)
Temperature De-rating	1 Amp up to 50° C, 0.5 Amp up to 60° C
Max Sense Voltage	600 Vac
Sensor Output	Current below threshold: Open Current above threshold: Closed
Approvals	UL Listed, UL916, UL864, C-UL, CE, RoHS 1
Mounting/Installation	Removable mounting tab provided The wire clamp locks against the load wire, securing the unit in place

Notes:

- Use Solid State Contact Only for Switching 120Vac, (240Vac for RIBXGHTF-240), 1 Amp Max.
- For testing purposes, contact will typically measure 2.75k Ohms when current is over threshold, infinity when below.

Dimensions



Specifications subject to change without notice.
 Distech Controls, and the Distech Controls logo are trademarks of Distech Controls Inc. All other trademarks are property of their respective owner.
 ©, Distech Controls Inc., 2015. All rights reserved.