



CS-RIBXG21 Series

Current Sensors & Switches



Overview

Enclosed, self-powered, split core current sensors (voltage and current output) and switches (fixed and adjustable trip points).

Refer to CS-RIBA Series track mount relays to combine with “Snap-On” model relays.

Applications

- General Load Status
- Motor Status
- Lighting Circuit Status
- Detecting Belt Loss

Features & Benefits

- Pre-Packaged for Convenience
- Adjustable or Fixed Thresholds
- Split Core Models
- Miniature Size

Model Selection

Product Number	Sensor Output	Switching Voltage Range	Maximum Switching Current	Sensor Contact Termination	Range	Type	Threshold	LED 1	LED 2
CS-RIBXG21F	SS Switch SPST	120-277Vac	1 Amp	Wire Leads	.50-150A	Split	Fixed, .50Amp		
CS-RIBXG21TF	SS Switch SPST	120-277Vac	1 Amp	Terminals	.50-150A	Split	Fixed, .50Amp		
CS-RIBXG21A	SS Switch SPST	120-277Vac	1 Amp	Wire Leads	.75-150A	Split	Adjustable	Over Threshold	Under Threshold
CS-RIBXG21TA	SS Switch SPST	120-277Vac	1 Amp	Terminals	.75-150A	Split	Adjustable	Over Threshold	Under Threshold

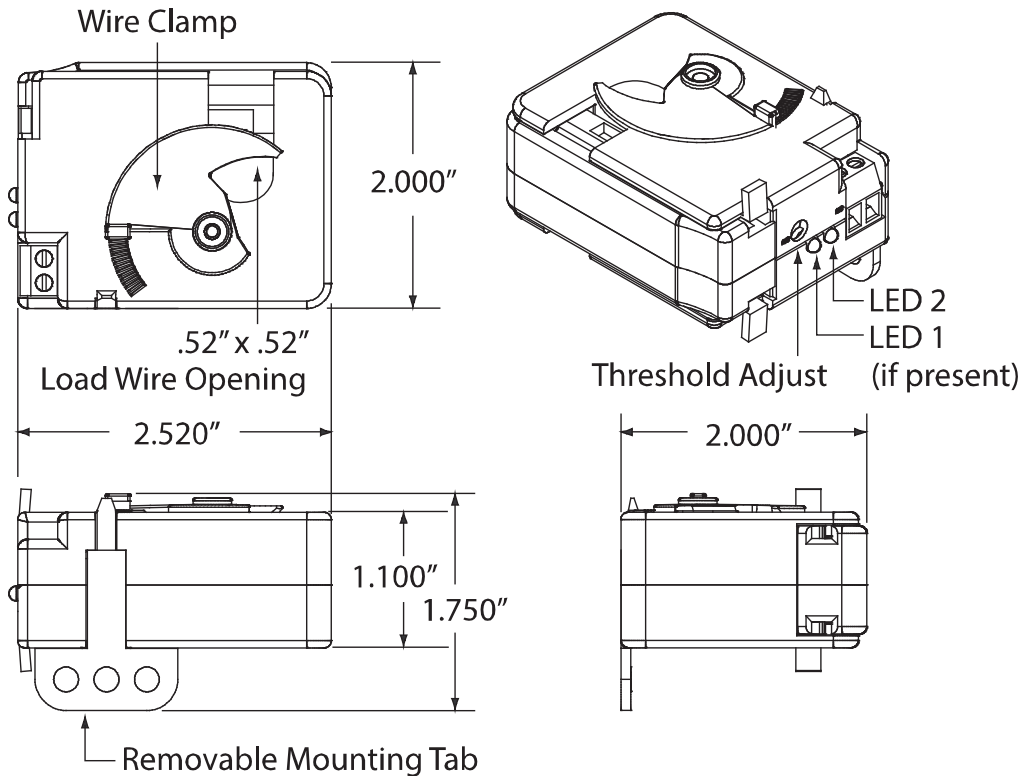
Product Specifications

Operating Temperature	-30 to 140° F
Humidity Range	5 to 95% (noncondensing)
Temperature Derating	1 Amp up to 50° C, 0.5 Amp up to 60° C
Max Sense Voltage	600 Vac
Sensor Contact Status	Monitored current below threshold: Open Monitored current above threshold: Closed
Approvals	UL Listed, UL916, C-UL, CE, RoHS
Mounting/Installation	Unit can be secured using the supplied Mounting Tab, the adjustable Wire Clamp, or both

Notes:

- Use Sensor Contact to switch 120-277 Vac loads only.
- For testing purposes, Sensor Contact will measure approximately 250 Ω when closed and > 10 MΩ when open.
- The Sensor Contact is a Solid State Contact.

Dimensions



Specifications subject to change without notice.
 Distech Controls, and the Distech Controls logo are trademarks of Distech Controls Inc. All other trademarks are property of their respective owner.
 ©, Distech Controls Inc., 2015. All rights reserved.