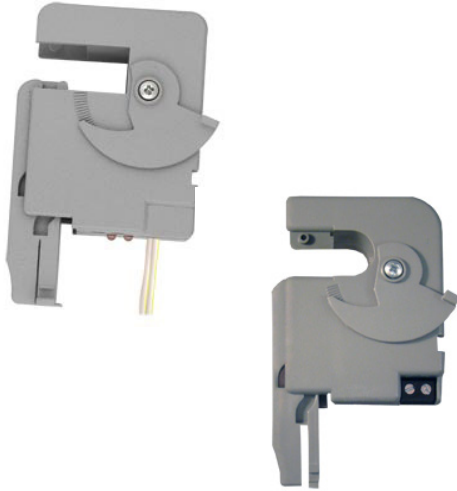




CS-RIBXG Series

Solid Core AC Transducers



Overview

Enclosed, self-powered, split core current sensors (voltage and current output) and switches (fixed and adjustable trip points).

Refer to CS-RIBA Series track mount relays to combine with “Snap-On” model relays.

Applications

- General Load Status
- Motor Status

Features & Benefits

- Pre Packaged for Convenience
- Adjustable or Fixed Thresholds
- Split Core Models
- Miniature Size

Model Selection

Product Number	Sensor Output	Switching Voltage Range	Maximum Switching Current	Sensor Contact Termination	Range	Type	Threshold	LED 1	LED 2
CS-RIBXGF	SS Switch SPST	30 Vac/dc	.4 Amps	Wire Leads	.35-150A	Split	Fixed, .35Amp		
CS-RIBXGFL	SS Switch SPST	30 Vac/dc	.4 Amps	Wire Leads	.75-150A	Split	Fixed, .75Amp	Over Trip Point	
CS-RIBXGTF	SS Switch SPST	30 Vac/dc	.4 Amps	Terminals	.35-150A	Split	Fixed, .35Amp		
CS-RIBXGTFL	SS Switch SPST	30 Vac/dc	.4 Amps	Terminals	.75-150A	Split	Fixed, .75Amp	Over Trip Point	
CS-RIBXGA	SS Switch SPST	30 Vac/dc	.4 Amps	Wire Leads	.75-150A	Split	Adjustable	Over Trip Point	Under Trip Point
CS-RIBXGTA	SS Switch SPST	30 Vac/dc	.4 Amps	Terminals	.75-150A	Split	Adjustable	Over Trip Point	Under Trip Point
CS-RIBXGA-SCAL	SS Switch SPST	30 Vac/dc	.4 Amps	Wire Leads	3-150A	Split	Adjustable	See -SCAL LED Table Below	
CS-RIBXGTA-SCAL	SS Switch SPST	30 Vac/dc	.4 Amps	Terminals	3-150A	Split	Adjustable	See -SCAL LED Table Below	

Specifications

Operating Temperature _____ -30 to 140° F
 Humidity Range _____ 5 to 95% (noncondensing)
 Max Sense Voltage _____ 600 Vac

Sensor Output:

- Current below threshold _____ Open
- Current above threshold _____ Closed
- Contact Type _____ Solid State
- Contact Rating _____ 30 Vac/dc, .4 Amp Max.
- When current sensor status is off (open), leakage _____ <30 uA @ 30Vac/dc
- When current sensor status is on (closed), voltage drop: _____ < 0.3 Vac/dc @ .01 Amp
 _____ < 1.6 Vac/dc @ 0.4 Amp

Approvals _____ UL Listed, UL916, UL864, C-UL, California State Fire Marshal, CE, RoHS

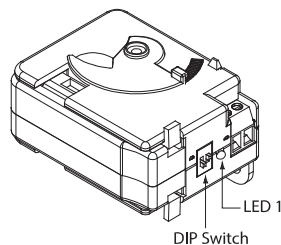
Mounting/Installation _____ Removable mounting tab provided
 _____ The wire clamp locks against the load wire, securing the unit in place

-SCAL LED Table

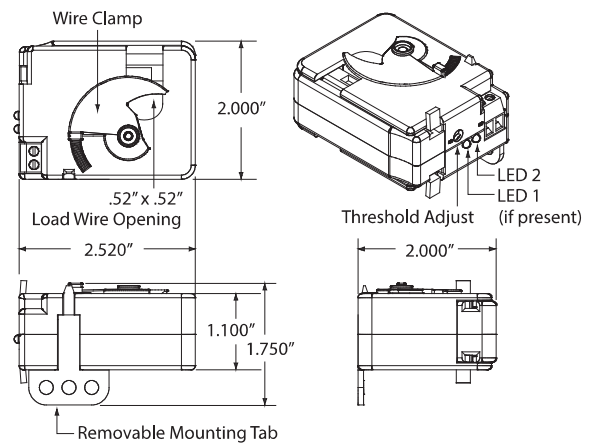
Self-Calibrating AC Sensors (Models with -SCAL Suffix):

The SCAL unit begins the 30 second self-calibration process the first time current is applied in the operating range. The threshold is permanently set. Subsequent calibrations may be performed by moving SW1 to the position opposite of its current position with or without current applied (hands can be safely away from live voltage). Once current begins flowing, or if it already is, the calibration process will begin. At the end of the 30 seconds, amperage will be read and set as the threshold. SW2 in the ON position provides a 15% (+/-3%) differential, in the OFF position it provides a 25% (+/-3%) differential. SW2 can be selected at anytime and does not affect the threshold setting. Current in-range closes the status contacts. Current above or below range opens the status contacts. For example, with a current of 10 amps set as the threshold and a 15% differential, status contacts will be closed between 8.5 amps and 11.5 amps and open outside of this range. A small amount of hysteresis is provided to prevent dithering near the differential limits.

Status	Description
LED Off	No Current
Two Winks	Current Below Range
Three Winks	Current In Range
Four Winks	Current Above Range
Continuous Winks	Calibration in Progress



Dimensions



Specifications subject to change without notice.
 Distech Controls, and the Distech Controls logo are trademarks of Distech Controls Inc. All other trademarks are property of their respective owner.
 ©, Distech Controls Inc., 2015. All rights reserved.