



# CS-RIBXK Series

Enclosed Solid Core AC Sensors



## Overview

Enclosed, self-powered, solid core current sensors (voltage and current output) and switches (fixed and adjustable trip points).

Refer to CS-RIBA Series track mount relays to combine with “Snap-On” model relays.

## Applications

- General Load Status
- Motor Status

## Features & Benefits

- Pre Packaged for Convenience
- Adjustable or Fixed Thresholds
- Solid Core Models
- Miniature Size

## Model Selection

Product Number	Sensor Output	Switching Voltage Range	Maximum Switching Current	Sensor Contact Termination	Range	Type	Threshold	LED 1	LED 2
CS-RIBXKF	SS Switch SPST	30 Vac/dc	.4 Amps	Wire Leads	.25-150A	Solid	Fixed, .25Amp		
CS-RIBXKTF	SS Switch SPST	30 Vac/dc	.4 Amps	Terminals	.25-150A	Solid	Fixed, .25Amp		
CS-RIBXKA	SS Switch SPST	30 Vac/dc	.8 Amps	Wire Leads	.50-150A	Solid	Adjustable	Over Trip Point	Under Trip Point
CS-RIBXKTA	SS Switch SPST	30 Vac/dc	.8 Amps	Terminals	.50-150A	Solid	Adjustable	Over Trip Point	Under Trip Point

# Product Specifications

Operating Temperature \_\_\_\_\_ -30 to 140° F  
 Humidity Range \_\_\_\_\_ 5 to 95% (noncondensing)  
 Max Sense Voltage \_\_\_\_\_ 600 Vac  
 Approvals \_\_\_\_\_ UL Listed, UL916, UL864, C-UL, California State Fire Marshal, CE, RoHS  
 Mounting/Installation \_\_\_\_\_ Removable mounting tab provided  
 \_\_\_\_\_ The wire clamp locks against the load wire, securing the unit in place

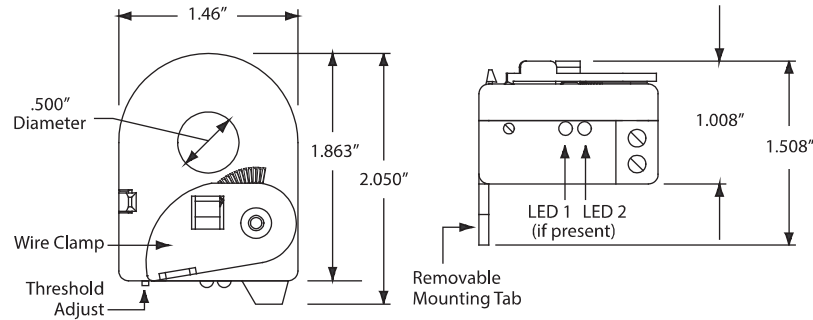
**Sesnor Output:**

- Current below threshold \_\_\_\_\_ Open
- Current above threshold \_\_\_\_\_ Closed

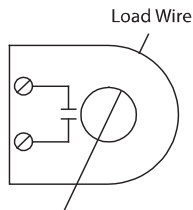
**Solid State Contact:**

- CS-RIBXKF, CS-RIBXKTF \_\_\_\_\_ 30 Vac/dc, 0.4 Amp Max.
- CS-RIBXKA, CS-RIBXKTA \_\_\_\_\_ 30 Vac/dc, 0.8 Amp Max.
- When current sensor status is off (open), leakage \_\_\_\_\_ <30 uA @ 30Vac/dc
- When current sensor status is on (closed), voltage drop \_\_\_\_\_ < 0.3 Vac/dc @ 0.1 Amp  
 \_\_\_\_\_ < 1.6 Vac/dc @ 0.4 Amp

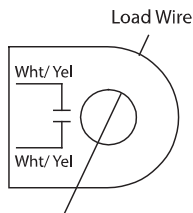
## Dimensions



### CS-RIBXKTF



### CS-RIBXKA



Specifications subject to change without notice.  
 Distech Controls, and the Distech Controls logo are trademarks of Distech Controls Inc. All other trademarks are property of their respective owner.  
 ©, Distech Controls Inc., 2015. All rights reserved.