



# CS-RIBXKTV Series

Current Sensors & Switches



## Overview

Enclosed, self-powered, solid core current sensors (voltage and current output) and switches (fixed and adjustable trip points).

## Applications

- General Load Status
- Motor Status
- Lighting Circuit Status
- Detecting Belt Loss

## Features & Benefits

- Pre Packaged for Convenience
- Adjustable or Fixed Thresholds
- Solid Core Models
- Miniature Size

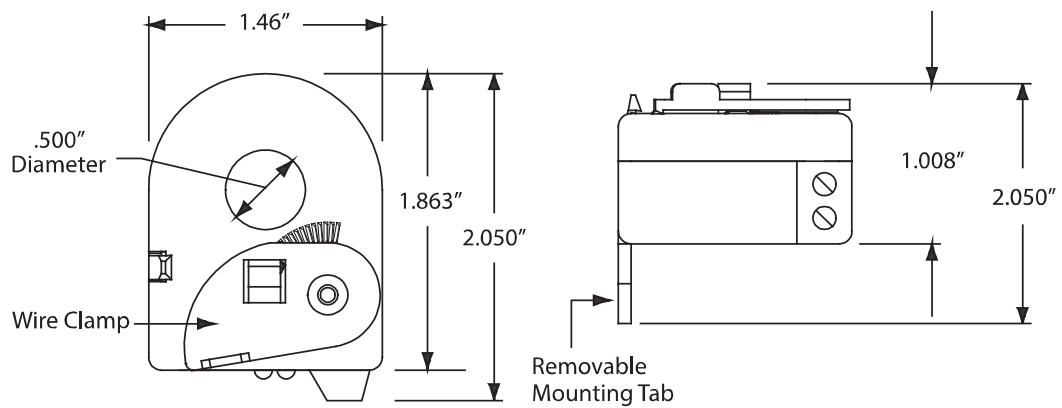
## Model Selection

Product Number	Sensor Output	Sensor Contact Termination	Range	Loading
CS-RIBXKTV5-10	0-5 Vdc	Terminals	0-10A	1% Error @ 180 kΩ
CS-RIBXKTV5-20	0-5 Vdc	Terminals	0-20A	1% Error @ 90 kΩ
CS-RIBXKTV5-50	0-5 Vdc	Terminals	0-50A	1% Error @ 40 kΩ
CS-RIBXKTV5-100	0-5 Vdc	Terminals	0-100A	1% Error @ 15 kΩ

## Product Specifications

Operating Temperature	-30 to 140° F
Humidity Range	5 to 95% (noncondensing)
Accuracy	96.8% Full Scale
Max Sense Voltage	600 Vac
Approvals	UL Listed, UL916, UL864, California State Fire Marshal, C-UL, CE, RoHS
Mounting/Installation	Removable mounting tab provided The wire clamp locks against the load wire, securing the unit in place
Sensor Type	Solid core with voltage output

## Dimensions



Specifications subject to change without notice.  
Distech Controls, and the Distech Controls logo are trademarks of Distech Controls Inc. All other trademarks are property of their respective owner.  
©, Distech Controls Inc., 2015. All rights reserved.